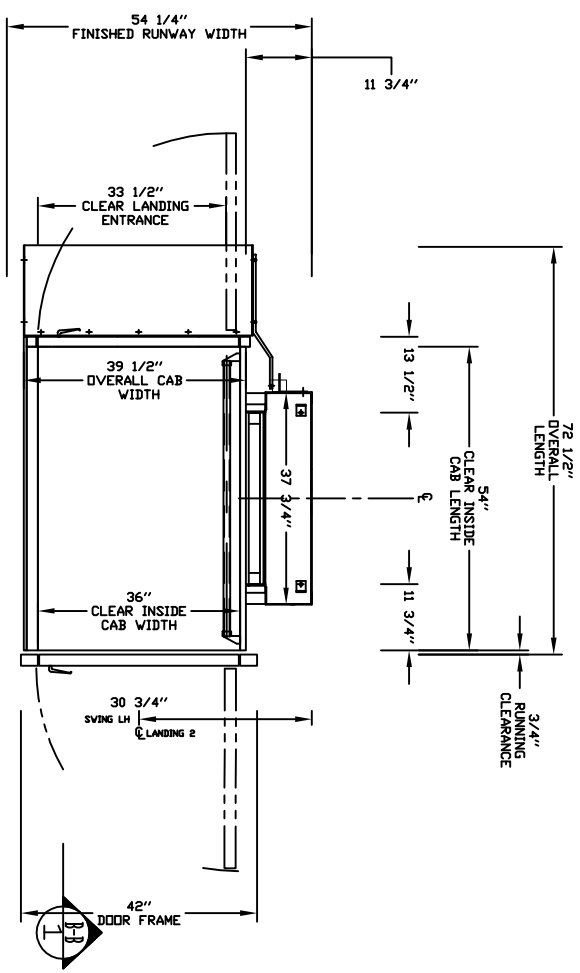


**PRELIMINARY DRAWING ONLY
DRAWING APPROVAL:**

- THIS DRAWING REFLECTS OUR INTERPRETATION OF THE INFORMATION PROVIDED BY THE DEALER ON THE ORDER FORM. THIS INFORMATION IS THE DEALER'S RESPONSIBILITY, AND ITS ACCURACY FROM WHICH THIS LIFT IS BEING MANUFACTURED, IS NOT GUARANTEED. PLEASE CONTACT THE DEALER CHECKING ONE OF THE FOLLOWING BOXES AND SIGNING BELOW TO AUTHORIZE COMPLETION OF THIS ORDER.
- APPROVED WITH NO EXCEPTIONS
 - MANUFACTURE PRODUCT AS PER DRAWING
 - APPROVED WITH EXCEPTIONS, NO REAPPROVAL REQUIRED
 - MAKE CHANGES AS NOTED, NO REAPPROVAL DRAWING REQUIRED
 - CHANGE AS NOTED, REAPPROVAL REQUIRED
 - REAPPROVAL BEFORE MANUFACTURE

SIGNATURE: _____ DATE: _____
CAUTION: ONCE THE DRAWING IS APPROVED, JOB CANCELLATION FEES WILL APPLY.



**GENERAL ARRANGEMENT
VERTICAL WHEELCHAIR PLATFORM LIFT**

CUSTOMER: NATIONWIDE LIFTS-N.Y.
PROJECT: Apex Green - Opposite Sides
ADDRESS: Nationwide Lifts
333-323-8755

DATE: 10/30/14
REVISION: 10/30/14
COMPLETED BY: [Signature]

OFFICE USE ONLY:
OPERATION REVISION Stamp: 0.0
MODEL VERSION Stamp: H-3-115

Part No. 39015
Variant No. 39015

savarria.

PROVISIONS BY OTHERS

SPECIFICATIONS

GENERAL

HOISTWAY - THE HOISTWAY MUST BE DESIGNED AND BUILT IN ACCORDANCE WITH 'SAFETY STANDARD FOR PLATFORM LIFTS AND STAIRWAY CHARLIFTS' OR 'SAFETY CODE FOR ELEVATORS AND ESCALATORS' AND ALL STATE AND LOCAL CODES.

PLUMB RUNWAY - DUE TO CLOSE RUNNING CLEARANCES OWNER/AGENT MUST ENSURE THAT HOISTWAY AND PIT (WHERE PROVIDED) ARE LEVEL, PLUMB (-/+ 1/8" (3 mm)) AND SQUARE AND ARE IN ACCORDANCE WITH THE DIMENSIONS ON THESE DRAWINGS. **MINIMUM OVERHEAD CLEARANCE** - OWNER/AGENT MUST ENSURE MINIMUM OVERHEAD CLEARANCE IS IN COMPLIANCE WITH CODES.

CONSTRUCTION SITE - OWNER/AGENT TO PROVIDE ALL MASONRY, CARPENTRY AND DRYWALL WORK AS REQUIRED AND SHALL PATCH AND MAKE GOOD (INCLUDING FINISH PAINTING) ALL AREAS WHERE WALLS/FLOORS MAY REQUIRE TO BE CUT, DRILLED OR ALTERED IN ANY WAY TO PERMIT THE PROPER INSTALLATION OF THE LIFT.

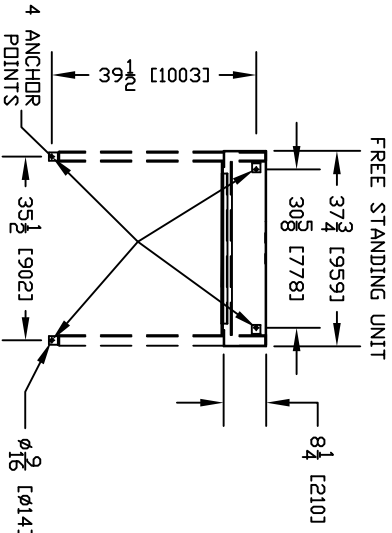
DIMENSIONS - CONTRACTOR/CUSTOMER TO VERIFY ALL DIMENSIONS AND REPORT ANY DISCREPANCIES TO OUR OFFICE IMMEDIATELY.

STRUCTURAL

FLOOR/SUPPORT WALL LOADS - STRUCTURE TO ANCHOR A CRANK SHAFT AND SAFETY HARNESS, WHERE APPLICABLE/ NEEDED, TO BE PROVIDED BY CONTRACTOR.

CONTRACTOR TO ASSURE THAT BUILDING AND SHAFT WILL SAFELY SUPPORT ALL LOADS IMPOSED BY THE LIFT EQUIPMENT. REFER TO THE LOAD DIAGRAM ON THIS DRAWING. **MAST TO BE SECURELY FASTENED** - WHERE REQUIRED THE MAST MUST BE SECURELY FASTENED TO THE STRUCTURAL SUPPORT FLOOR. REFER TO FLOOR SUPPORT LOAD DIAGRAM AND ANCHOR DIMENSIONS ON THIS DRAWING. NO WALL LOADS SINCE THIS UNIT CAN ONLY BE FREE STANDING.

WHERE DOORS ARE REQUIRED - SUITABLE LINTELS MUST BE PROVIDED BY OWNER/AGENT. DOOR FRAMES ARE NOT DESIGNED TO SUPPORT OVERHEAD WALL LOADS.



ELECTRICAL

GENERAL - ELECTRICAL EQUIPMENT AND WIRING TO COMPLY WITH SECTION 38 OF CSA C22.1 (CANADA) OR SECTION 650 OF NEC ANSI/NFPA 70 (USA).

POWER SUPPLY - 120VAC, 20A, 60HZ, 1PH CIRCUIT THROUGH A FUSE DISCONNECT WITH AUXILIARY CONTACT ON MAIN POWER SUPPLY. PROVIDE TWO 18 AWG CONDUCTORS BETWEEN CONTACT AND CONTROL.

LIGHTING - LIGHTING OF 100 LX MIN. AT PLATFORM AND LANDINGS. LIGHTING WITH SWITCH AND ELECTRICAL GFCI OUTLET IN HOISTWAY PIT.

PHONE - NEED A DEDICATED PHONE LAND LINE (NOT VOIP) FOR THE PHONE, WHERE APPLICABLE. FOR VOIP PLEASE CONTACT SAVARIA.

ENTRANCES

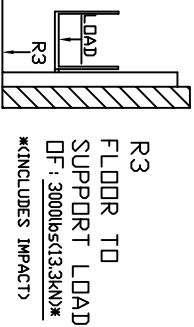
UPPER LANDING GATES - WHERE REQUIRED, SMOOTH SOLID BARRIERS ARE TO BE SUPPLIED AND INSTALLED ON BOTH SIDES OF ENTRANCE AT UPPER LEVEL AND MUST BE A MINIMUM OF 42" (1067 mm) HIGH. ENTRANCE ASSEMBLY MUST BE IN PLACE PRIOR TO THIS PROVISION.

FASCIA PANEL BELOW UPPER LEVEL ENTRANCE - WHERE REQUIRED, FASCIA PANEL MUST BE FASTENED TO A SOLID WALL AND BE PERPENDICULAR TO THE FLOOR AND WALLS. HOISTWAY FASCIA IS NOT SELF-SUPPORTING FOR LONG, CONTINUOUS RUNS VOID OF ENTRANCES. ADEQUATE SUPPORT FOR THE FASCIA MUST BE PROVIDED.

ENTRANCE ASSEMBLIES - ENTRANCE ASSEMBLIES MUST BE ADJUSTED TO ALIGN WITH PLATFORM AND INTERLOCK EQUIPMENT. OTHERS TO ALLOW AN ADEQUATE ROUGH OPENING.

RETURN WALLS - RETURN WALLS AT ENTRANCES MUST BE BUILT-IN BY OTHERS AFTER ENTRANCE ASSEMBLIES ARE IN PLACE. ENTRANCE ASSEMBLY MUST BE SECURELY FASTENED TO WALLS.

FLOOR SUPPORT LOAD DIAGRAM



GENERAL

CLASSIFICATION: Vertical Wheelchair Platform Lift
APPLIED CODE: ASME A18.1 Section 2 (Public)
MODEL: Multilift
CAPACITY: 750 lbs (340 kg)
SPEED: 87"/min (0.04 m/s)
TRAVEL: 57" (1448 mm)
PIT DEPTH: 0" (0 mm)
PLATFORM SIZE: 36" X 54" (914 mm X 1372 mm)
POWER SUPPLY: 110V/15A/60Hz SINGLE PHASE
BATTERY BACK UP: No
SUSPENSION: AOME SCREW 25mm

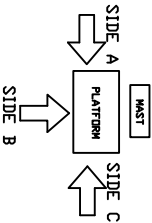
POWER UNIT

MOTOR: 0.75 HP, 110/115 VAC

DOORS / GATES / CALL STATIONS

DOOR TYPE	ENTRANCE SIDE	DOOR SWING	DOOR INSERT	LOCK TYPE	AUTO DOOR OPENER	IN FRAME CALL STN.	CALL STN. TYPE	CALL STN. KEYPAD	CALL STN. STOP BUTTON	CALL STN. MOUNTING
No Landing Door/Gate	42" High Upper Limb Gate	N/A	Steel Insert	Steel	Not Applicable	Not Applicable	Call/Send 2 Buttons	Call/Send 2 Buttons	Not Required	Not Required
Surface Mounted Remote	Flush Mount									

ENTRANCE LOCATIONS



OPTIONS PROVIDED

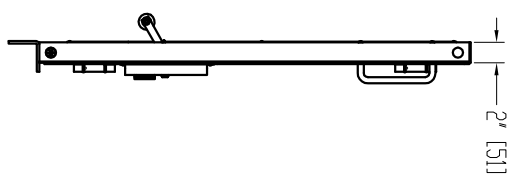
- PLATFORM GATE/ARM: Yes
- PLATFORM GATE SIDE: a
- TOUCH UP PAINT: 1 can(s)
- BUILDING UNDERPAN: Public Building
- COLOUR: B e i s e
- PLATFORM GATE SWING: rh
- PLATFORM GATE INSERT: Steel Panel
- RAMP: Auto Ramp
- EXTRA KEYS: SAFETY PINS/BLOCKS: no
- SAFETY PINS/BLOCKS: MANUAL LOWERING DEVICE: yes
- PIT SWITCH: yes

DATA SHEET

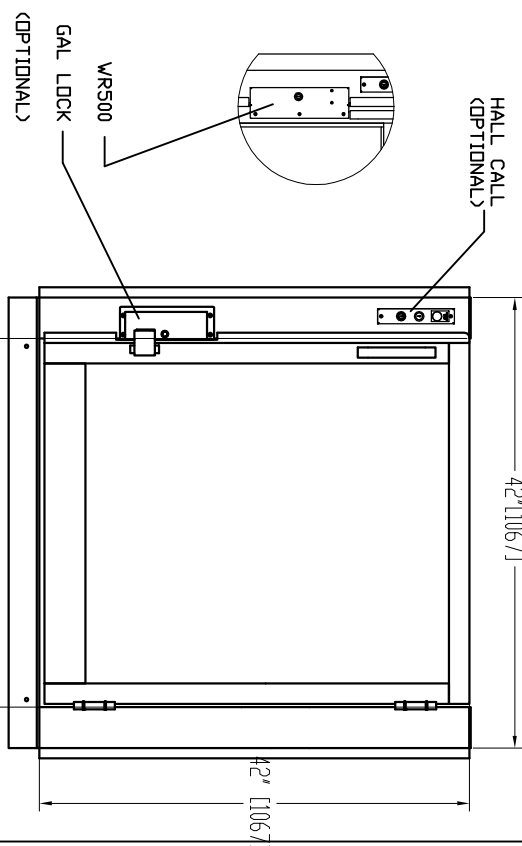
CUSTOMER: NATIONWIDE LIFTS - N.Y.
 PROJECT: Apex Green - Opposite Sides Lifts
 ADDRESS: 888-323-8755
 DATE: 10/30/14
 COMPLETED BY: [Signature]
 OFFICE USE ONLY: OPERATIONAL BEGIN DATE: 0.0
 MODEL VERSION: H-3-115

Post No. 39015

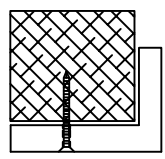
 JOB No. P-00000012
 SHEET No. 3



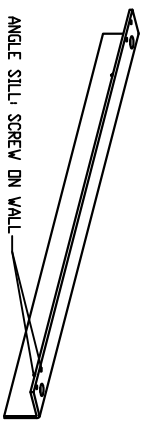
SIDE VIEW



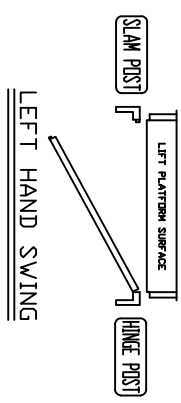
FRONT VIEW
(33.25' [845mm] CLEAR OPENING)



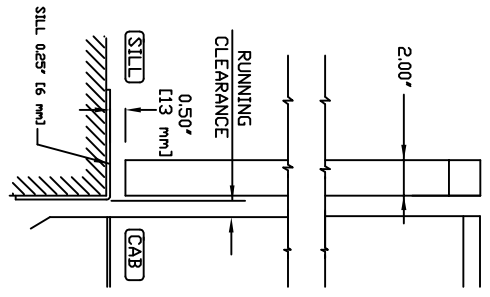
WALL ATTACHMENT
(8X) #8 X 3 FH SCREWS
(SHIM AS REQUIRED)



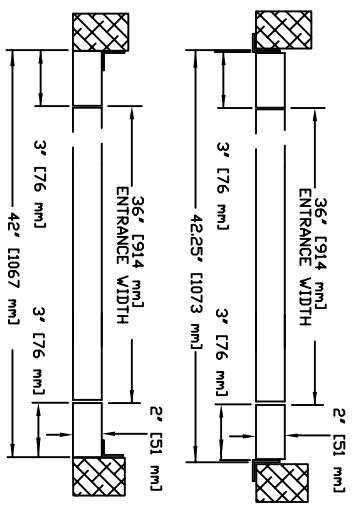
ANGLE SILL SCREW ON WALL



LEFT HAND SWING



VERTICAL SECTION



HORIZONTAL SECTION

- NOTES:**
- A) DRIVE WALL OR PARKING (BY OTHERS) AS REQ'D.
 - B) SEE DATASHEET OF THE INSTALLATION DRAWING FOR LANDING ENTRANCE SCHEDULE.
 - C) ALL INFORMATION IS SUBJECT TO CHANGE.

- GENERAL INFORMATION:**
- EACH LANDING ENTRANCE SHALL BE SUPPLIED AS A FINISHED ASSEMBLY WITH GATE AND FRAME BLENDED, REINFORCED, DRILLED AND TAPPED FOR ALL COMPONENTS DETAILED, READY FOR INSTALLATION.
 - DIFFERENT PANEL INSERT MATERIALS ARE OPTIONAL.
 - DIFFERENT LOCKS SUCH AS GAL, OR WR500 ARE OPTIONAL.
 - MANUAL GATE HYDRAULIC DOOR CLOSER IS PROVIDED.

Second Level Door

GOtEs
VERTICAL WHEELCHAIR PLATFORM LIFT

CUSTOMER: NATIONWIDE LIFTS - N.Y.
PROJECT: Apex Green - Opposite Sides
ADDRESS: 10/30/14
888-323-8755

DATE: 10/30/14
REVISION: 10/30/14
COMPLETED BY: [Signature]
SHEET NO. 3 OF 3



OFFICE USE ONLY:
OPERATION VERSION: 0.0
MODEL VERSION: R-3-418
Part No. 39015

CR No. P-000000